

Keystone Jack HD, Category 6_A, RJ45/s

P/N: KEJ-C6A-S-HD

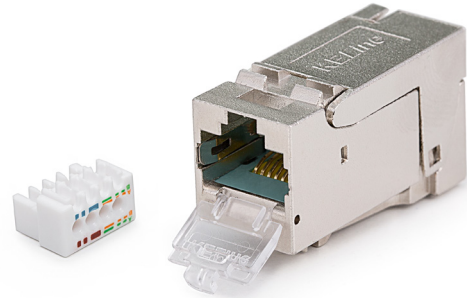
10
Gigabit

Cat. 6_A
interoperable

500
MHz

HD
HIGH DENSITY

PoE
type 4

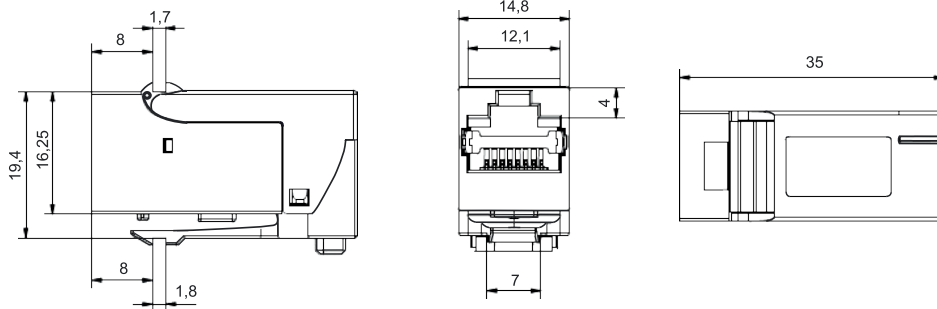


Features

- enables to install 24 modules into 0,5U and achieve a high density of up to 48 ports on 1U
- “low profile” design reduces the required installation depth of 5 mm
- tool-free, fast and easy installation
- PoE Type 4 (100W) tested in GHMT laboratories
- enables transmission of all high-speed protocols including 10GBASE-T
- guarantees a bandwidth of 500 MHz
- perfectly shielded against Alien Crosstalk and electromagnetic interference
- dust-proof shutter
- nickel plated housing
- suitable for a wide range of outlets, duct and channel systems
- applicable on cables with solid wires (guarantees of anti-corrosive a gas-tight joint)
- applicable on cables with stranded wires by using a special plastic insert (guarantees of anti-corrosive a gas-tight joint)

Application

- primary (Campus), secondary (Riser), tertiary (Horizontal)
- IEEE 802.3: 10Base-T; 100Base-T; 1000Base-T; 10GBase-T
- IEEE 802.5: 16 MB; ISDN; FDDI; ATM
- high bandwidth digital applications with low BER
- multimedia transmissions like digital and analog video and voice



Mechanical properties

Suitable for installing on cables	with solid wires	from 0,51 to 0,64 mm (AWG 24 - AWG 22)
	with stranded wires	from AWG 26/7 to AWG 24/7
Required installation depth	for sockets with angled faceplates	10 - 35 mm
	for sockets with straight faceplates	35 mm
Insertion / extraction cycles	min. 750	
Temperature range	operation	-40°C to +70°C
	installation	-10°C to +60°C
IDC reterminations	min. 20	
Contact pin material	phosphor-bronze alloy coated with 50 µ of gold	
IDC contacts material	high strength phosphor-bronze alloy	
IDC contacts plating	100 micron tin alloy	

Electrical properties at 20°C

Current rating	1,25 A max
Contact resistance of spring	20 mΩ max
Contact resistance of IDC	2,5 mΩ max
Dielectric strenght	1000Vac / 1 minute contact/contact
	1500Vac / 1 minute contact/panel
Insulation resistance	500 MΩ min @ 100Vdc

Transmission properties at 20°C

f (MHz)	Attenuation (dB)	NEXT (dB min)	PS-NEXT (dB min)	FEXT (dB min)	Return loss (dB)	TCL (dB min)	PS-ANEXT (dB min)	PS-AFEXT (dB min)
1,0	0,1	75,0	72,0	75,0	30,0	40,0	72,0	72,0
4,0	0,1	75,0	72,0	71,1	30,0	40,0	72,0	72,0
10,0	0,1	74,0	70,0	63,1	30,0	40,0	72,0	72,0
16,0	0,1	69,9	65,9	59,0	30,0	40,0	72,0	72,0
20,0	0,1	68,0	64,0	57,1	30,0	40,0	72,0	72,0
31,2	0,1	64,1	60,1	53,2	30,0	38,1	72,0	72,0
62,5	0,16	58,1	54,1	47,2	30,0	32,1	72,0	71,1
100,0	0,2	54,0	50,0	43,1	28,0	28,0	70,5	67,0
155,5	0,24	50,2	46,2	39,3	25,0	25,0	66,7	63,2
200,0	0,28	48,0	44,0	37,1	22,0	22,0	64,5	61,0
250,0	0,32	46,0	42,0	35,1	20,0	20,0	62,5	59,0
300,0	0,35	43,7	39,7	33,6	18,5	18,5	61,0	57,5
400,0	0,4	39,9	35,9	31,1	16,0	16,0	58,5	56,0
500,0	0,45	37,0	33,0	29,1	14,0	14,0	56,5	53,0

